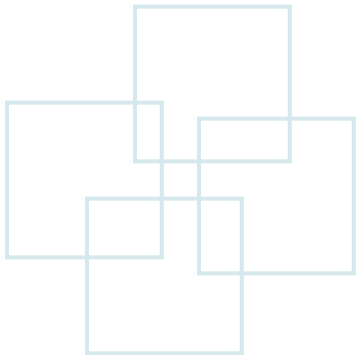
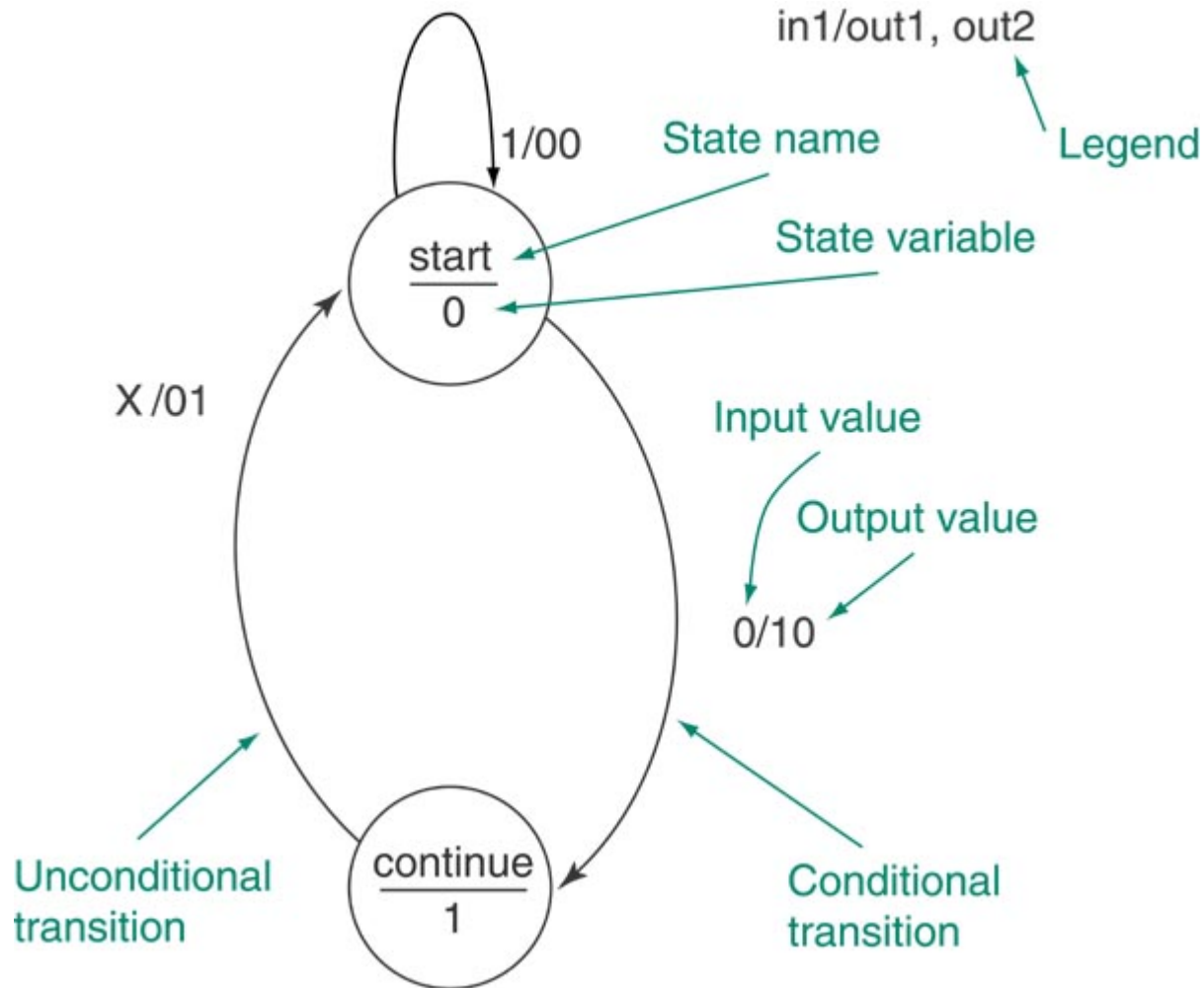


Class 12 State Machine



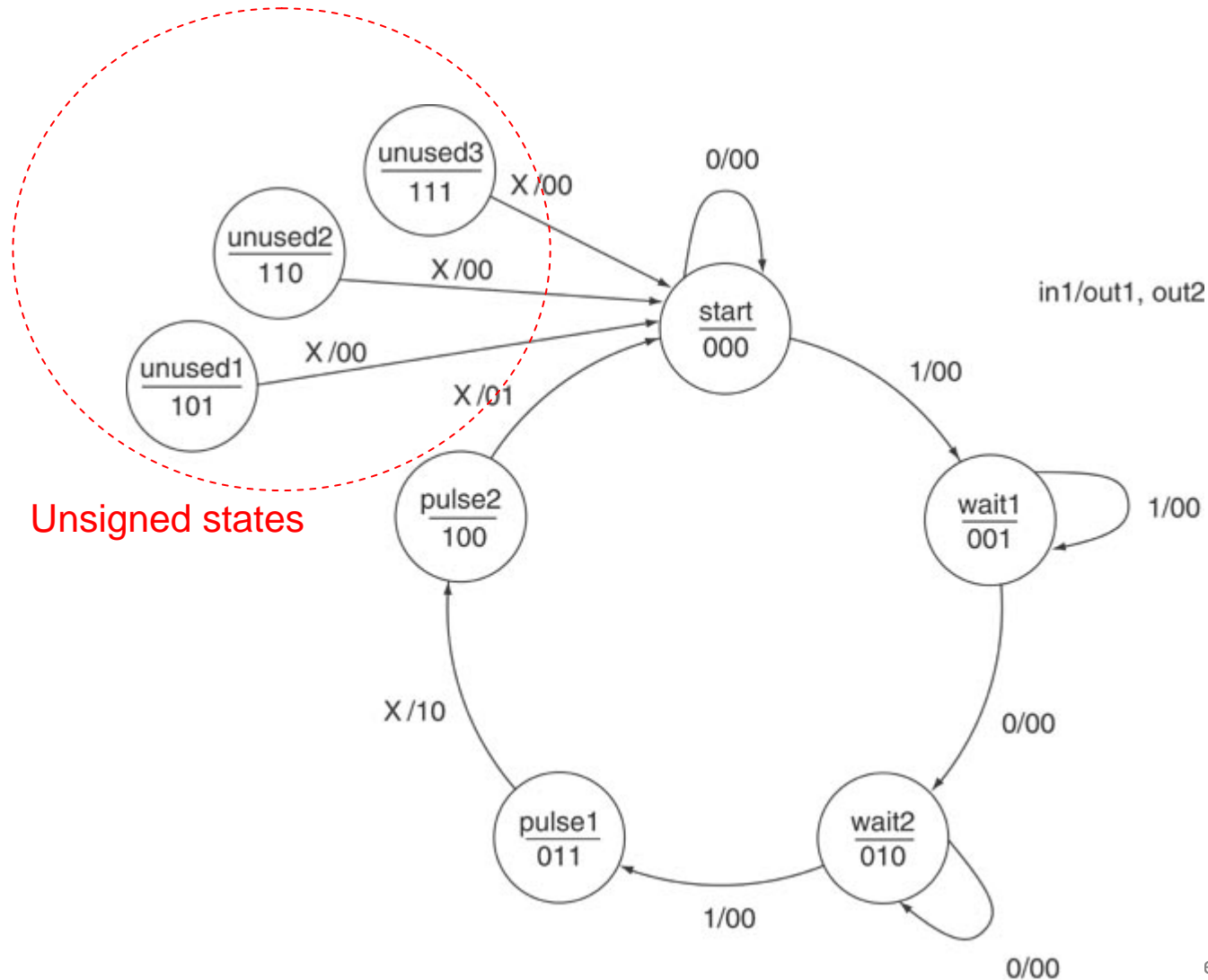


State Machine





Unused States in State Machines





State Machine (Cont.)

```

LIBRARY ieee;
USE ieee.std_logic_1164.ALL;
ENTITY sngl_pls IS
  PORT(
    clk, sync: IN STD_LOGIC;
    pulse: OUT STD_LOGIC);
END sngl_pls;

ARCHITECTURE pulser OF sngl_pls IS
  TYPE PULSE_STATE IS (seek, find);
  SIGNAL status: PULSE_STATE;
BEGIN
  PROCESS (clk)
  BEGIN

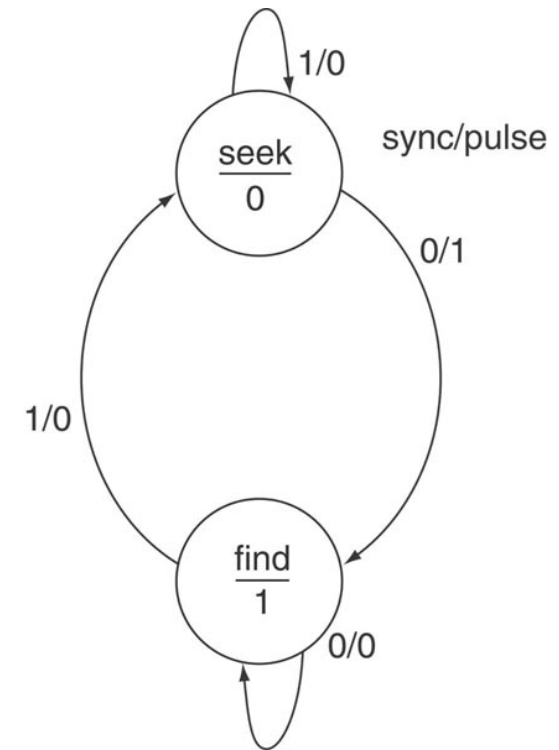
```

Type enumeration

```

IF (clk'EVENT and clk = '1') THEN
  CASE status IS
    WHEN seek =>
      IF (sync = '1') THEN
        status <= seek;
        pulse <= '0';
      ELSE
        status <= find;
        pulse <= '1';
      END IF;
    WHEN find =>
      IF (sync = '1') THEN
        status <= seek;
        pulse <= '0';
      ELSE
        status <= find;
        pulse <= '0';
      END IF;
  END CASE;
END IF;
END PROCESS;
END pulser;

```





Push Button Debouncer

```
LIBRARY ieee;
USE ieee.std_logic_1164.ALL;
```

```
ENTITY pbdebouncer IS
PORT(
  clk, pb2: IN STD_LOGIC;
  Hex0: OUT STD_LOGIC_VECTOR(0 to 7));
END pbdebouncer;
```

Define constants to debounce 5ms

```
ARCHITECTURE a OF pbdebouncer IS
  CONSTANT TicksPerMilliSecond: INTEGER := 50000;
  CONSTANT DebounceTime: INTEGER := TicksPerMilliSecond*5;
  SIGNAL PressedTime: NATURAL := 0;
  SIGNAL cnt: NATURAL RANGE 0 to 9;
```

```
BEGIN
PROCESS (clk)
BEGIN
  -- Change the shifting rate
  IF(clk'EVENT and clk = '1') THEN
    IF( pb2='0' ) THEN -- Push button is pressed
      IF(PressedTime < DebounceTime) THEN -- Wait for debounce time
        PressedTime <= PressedTime + 1;
      ELSIF(PressedTime = DebounceTime) THEN -- Debounce time is reached
        PressedTime <= DebounceTime + 1; -- Stop counting
```

```
cnt <= cnt + 1;
IF(cnt >=9) THEN
  cnt <= 0;
END IF;
```

Equals to:
1. cnt <= (cnt + 1) mod 10;
2. cnt - ((cnt+1) / 10) * 10;

```
END IF;
ELSE
  PressedTime <= 0;
END IF;
END IF;
```

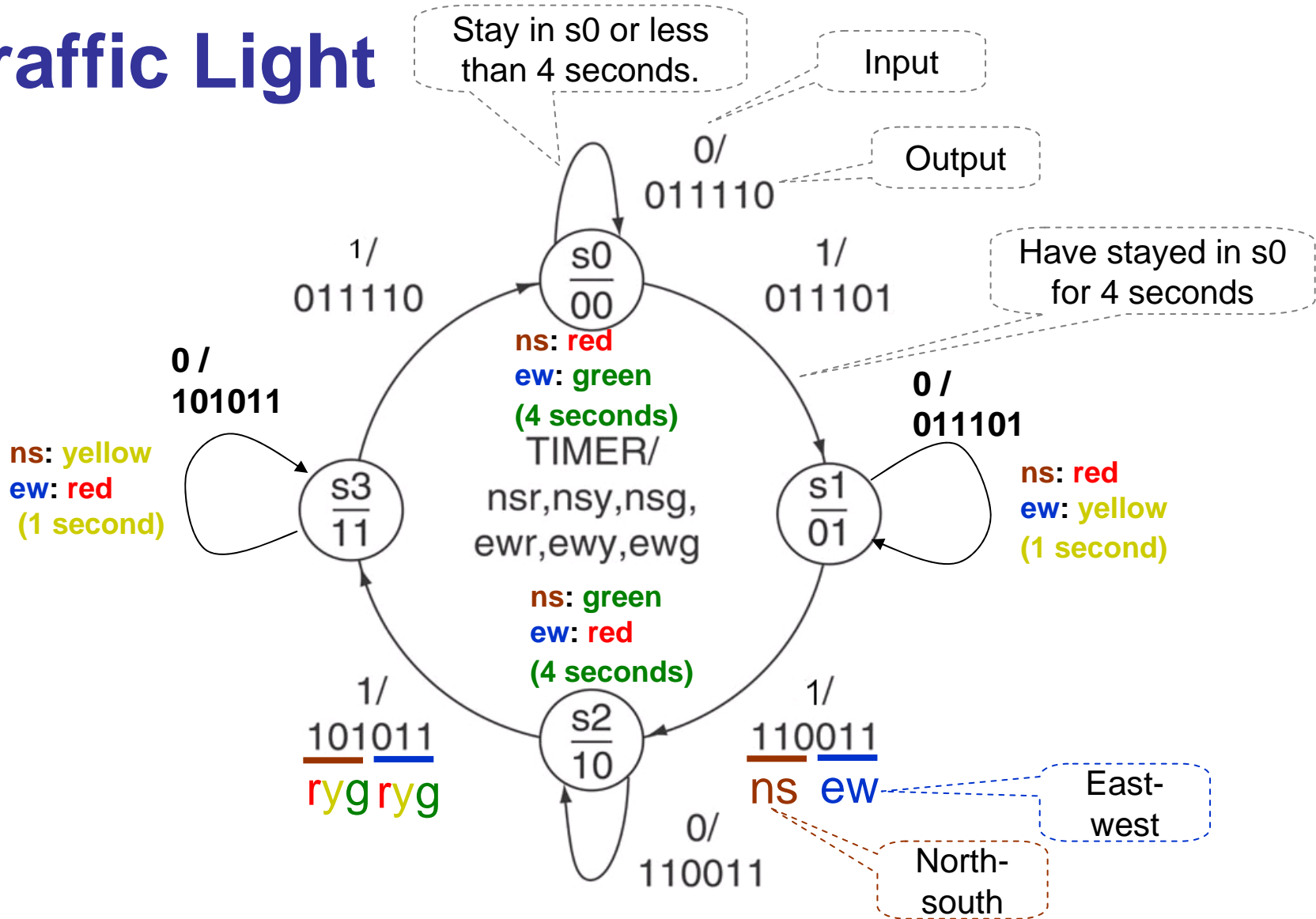
Push button is not pressed

```
-- Display the counter
CASE cnt IS
  WHEN 0 => Hex0 <= x"03"; -- 0
  WHEN 1 => Hex0 <= x"9F"; -- 1
  WHEN 2 => Hex0 <= x"25"; -- 2
  WHEN 3 => Hex0 <= x"0D"; -- 3
  WHEN 4 => Hex0 <= x"99"; -- 4
  WHEN 5 => Hex0 <= x"49"; -- 5
  WHEN 6 => Hex0 <= x"C1"; -- 6
  WHEN 7 => Hex0 <= x"1F"; -- 7
  WHEN 8 => Hex0 <= x"01"; -- 8
  WHEN 9 => Hex0 <= x"19"; -- 9
  WHEN others => Hex0 <= x"FF"; -- blank
END CASE;
END PROCESS;
END a;
```

hexadecimal



Traffic Light



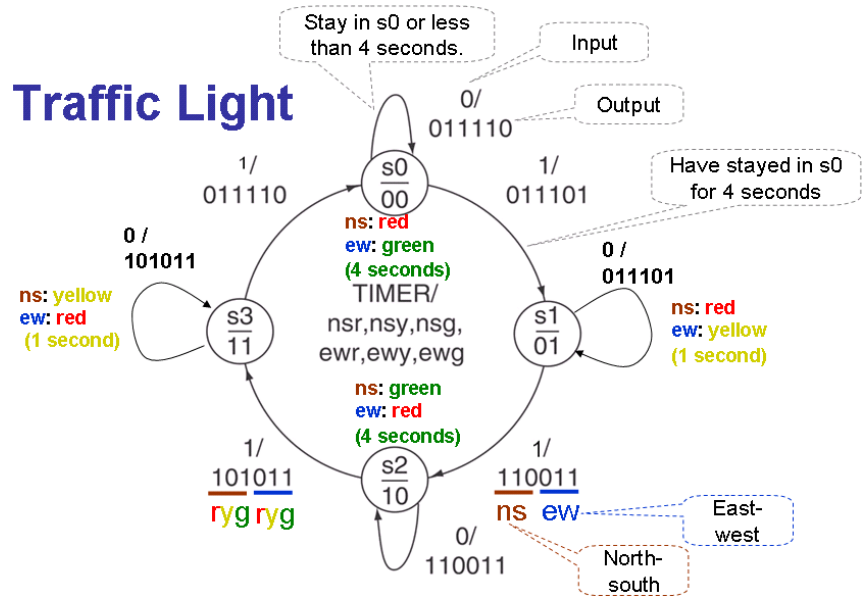


Lab 12

- Design a counter with a push button debouncer
 - Implement a two-digit counter that counts from 0 to 99.
 - Hex1 shows the digit of 10s, and hex0 shows the digit of 1s.
 - When PushButton2 is pressed the 2-digit counter is advanced by 1.
- Design a traffic light
 - Red light time is 5s, green light time is 4s, and yellow light time is 1s.
 - Hex3(/Hex2) is on to show the remaining time of the red light of the north-south (/west-east) direction; otherwise, Hex3 (/Hex2) is off.
 - Initial state: s0

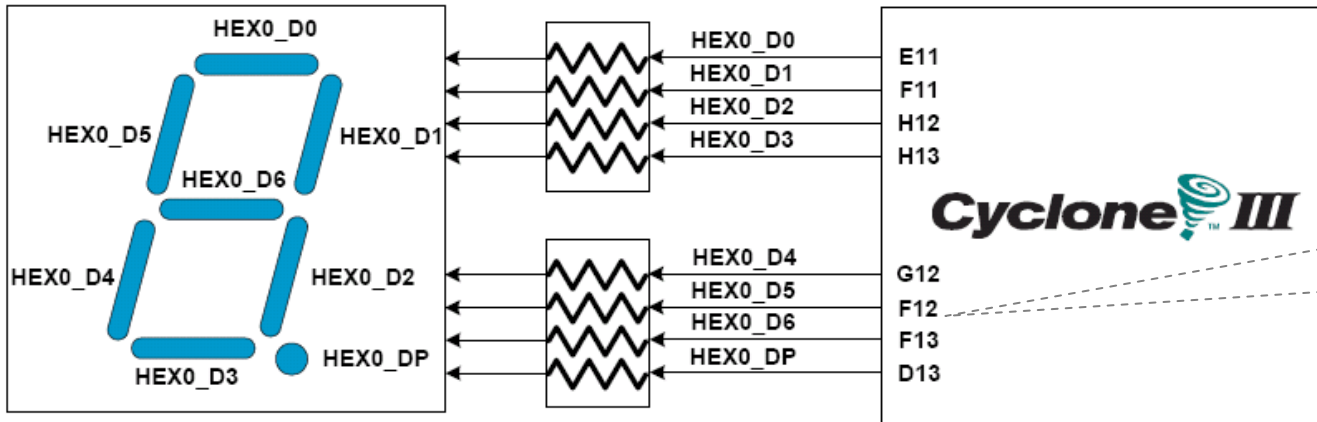
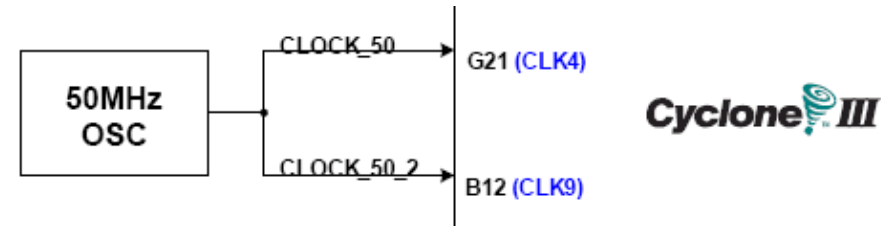
LED ₉	LED ₈	LED ₇	LED ₂	LED ₁	LED ₀
ns	ns	ns	ew	ew	ew
Red	Yellow	Green	Red	Yellow	Green
Hex3			Hex2		

Traffic Light





7-Segment Displays & DE0 – External Clock



Pin number (active-low)

Signal Name	FPGA Pin No.
HEX0_D[0]	PIN_E11
HEX0_D[1]	PIN_F11
HEX0_D[2]	PIN_H12
HEX0_D[3]	PIN_H13
HEX0_D[4]	PIN_G12
HEX0_D[5]	PIN_F12
HEX0_D[6]	PIN_F13
HEX0_DP	PIN_D13

HEX1_D[0]	PIN_A13
HEX1_D[1]	PIN_B13
HEX1_D[2]	PIN_C13
HEX1_D[3]	PIN_A14
HEX1_D[4]	PIN_B14
HEX1_D[5]	PIN_E14
HEX1_D[6]	PIN_A15
HEX1_DP	PIN_B15

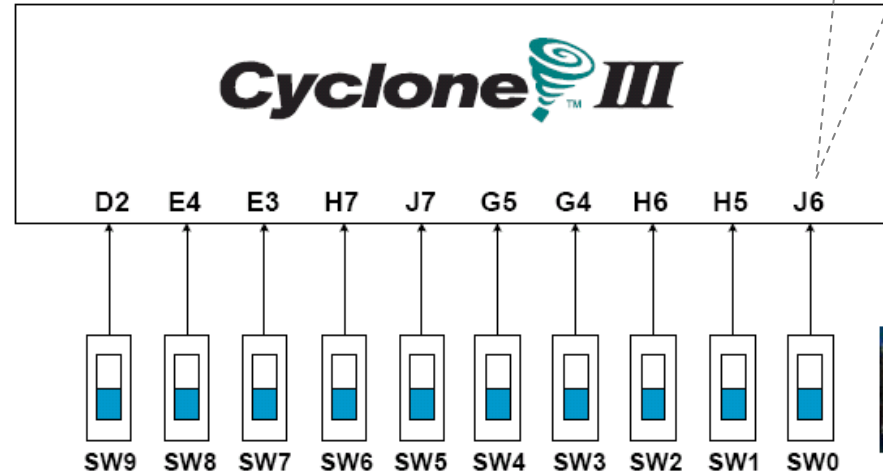
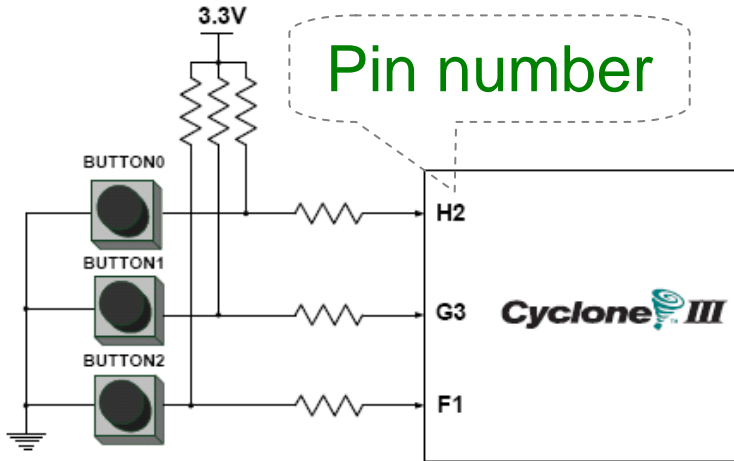
HEX2_D[0]	PIN_D15
HEX2_D[1]	PIN_A16
HEX2_D[2]	PIN_B16
HEX2_D[3]	PIN_E15
HEX2_D[4]	PIN_A17
HEX2_D[5]	PIN_B17
HEX2_D[6]	PIN_F14
HEX2_DP	PIN_A18

HEX3_D[0]	PIN_B18
HEX3_D[1]	PIN_F15
HEX3_D[2]	PIN_A19
HEX3_D[3]	PIN_B19
HEX3_D[4]	PIN_C19
HEX3_D[5]	PIN_D19
HEX3_D[6]	PIN_G15
HEX3_DP	PIN_G16



Pushbutton and Slide Switches

Pin number



3 Pushbutton switches:
 Not pressed → Logic High
 Pressed → Logic Low

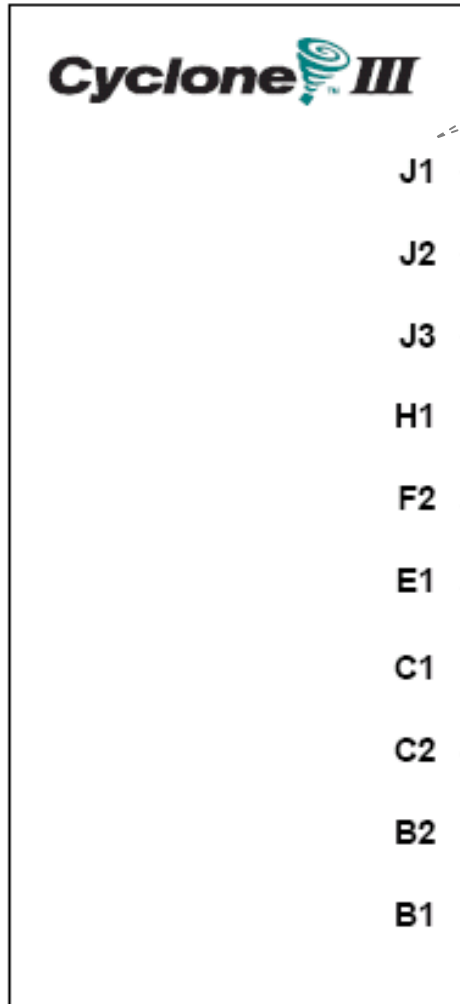
Signal Name	FPGA Pin No.
BUTTON [0]	PIN_ H2
BUTTON [1]	PIN_ G3
BUTTON [2]	PIN_ F1

10 Slide switches (Sliders):
 Up → Logic High
 Down → Logic

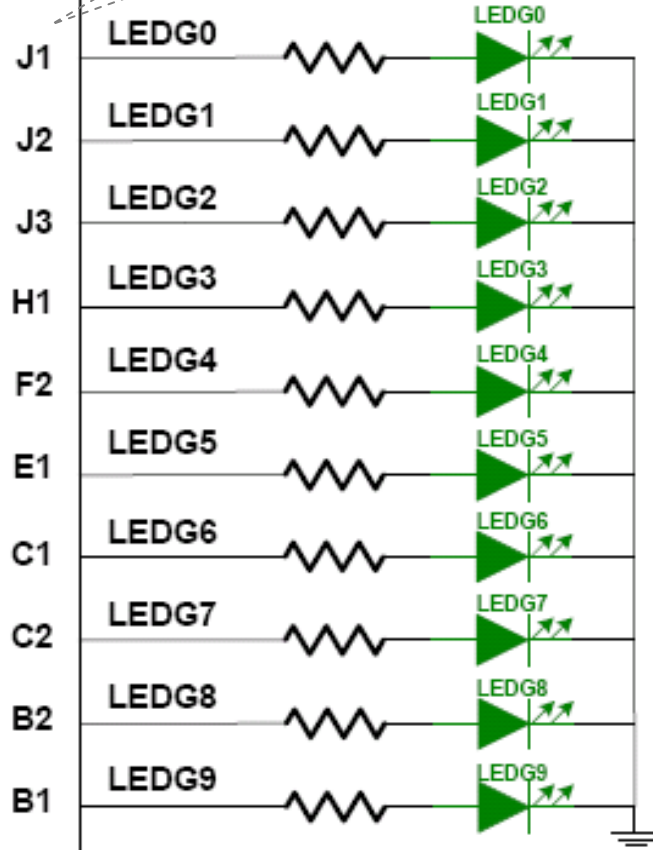
SW[0]	PIN_J6	SW[5]	PIN_J7
SW[1]	PIN_H5	SW[6]	PIN_H7
SW[2]	PIN_H6	SW[7]	PIN_E3
SW[3]	PIN_G4	SW[8]	PIN_E4
SW[4]	PIN_G5	SW[9]	PIN_D2



LEDs



Pin number



10 LEDs
 Output high → LED on
 Output low → LED off

Signal Name	FPGA Pin No.
LEDG[0]	PIN_J1
LEDG[1]	PIN_J2
LEDG[2]	PIN_J3
LEDG[3]	PIN_H1
LEDG[4]	PIN_F2
LEDG[5]	PIN_E1
LEDG[6]	PIN_C1
LEDG[7]	PIN_C2
LEDG[8]	PIN_B2
LEDG[9]	PIN_B1