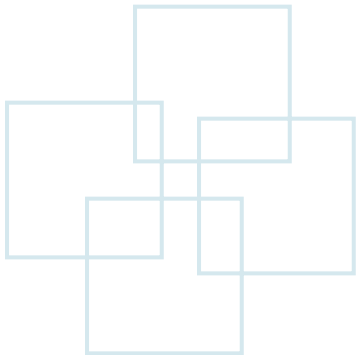


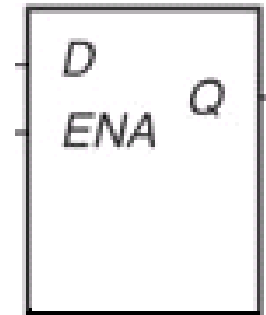
Class 10

Sequential Logic: Flip-Flop

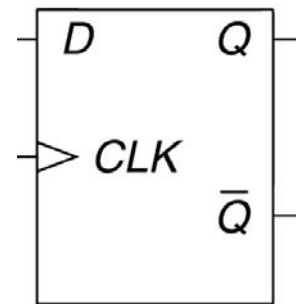
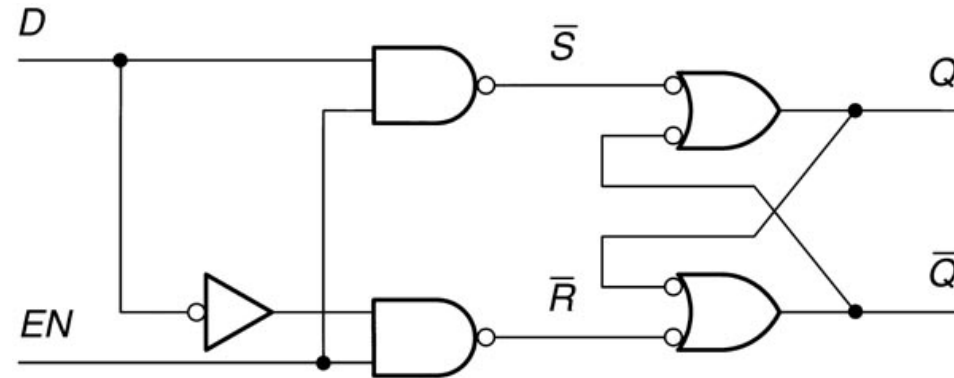




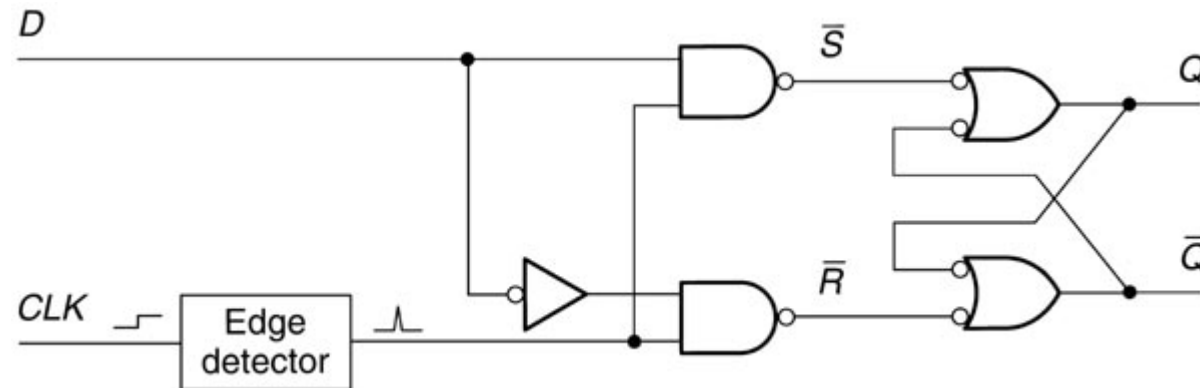
Differences between Latch and Flip-Flop



D latch
Level trigger

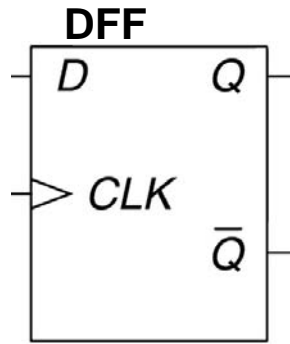


D flip-flop
Edge trigger

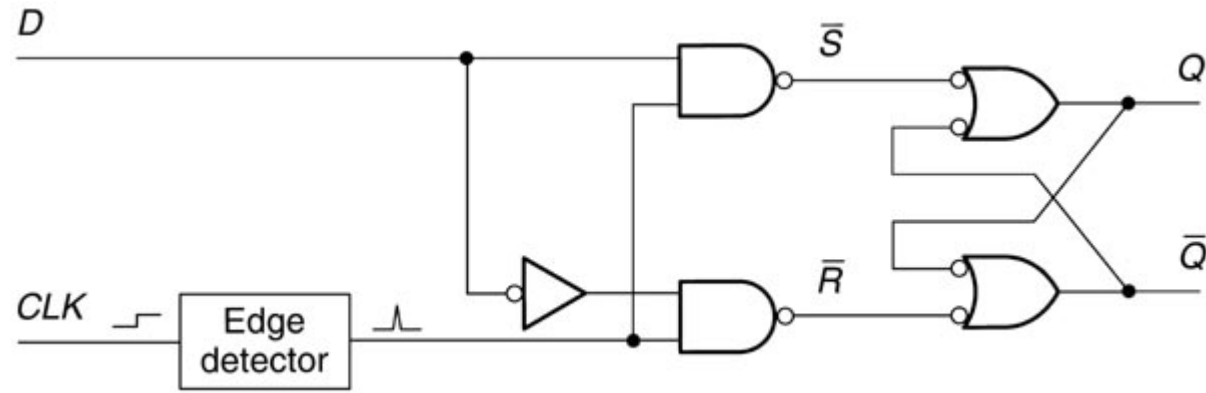




Function Table of D Flip-Flop

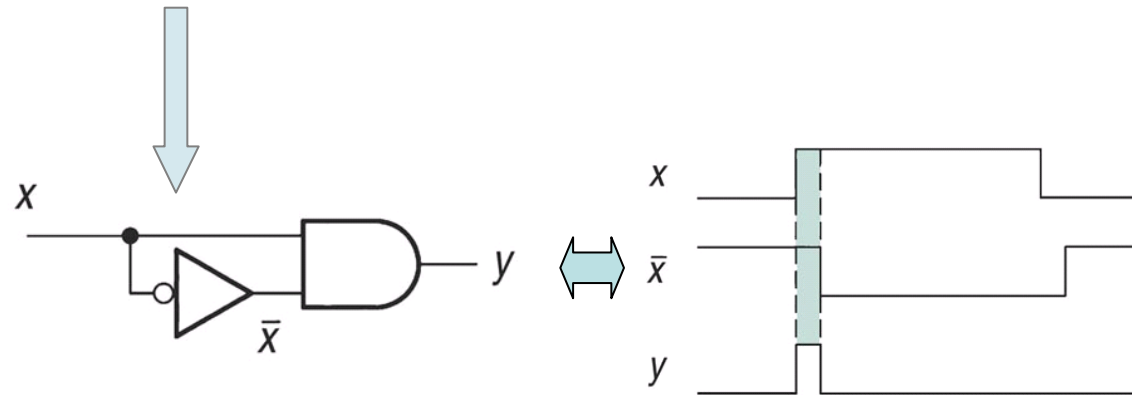


D flip-flop
Edge trigger



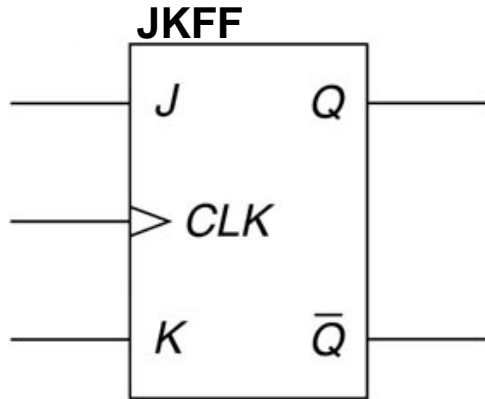
CLK	D	Q_{t+1}	nQ_{t+1}	Function
↑	0	0	1	Reset
↑	1	1	0	Set
0	X	Q_t	nQ_t	Inhibited
1	X	Q_t	nQ_t	Inhibited
↓	X	Q_t	nQ_t	Inhibited

Function table of D flip-flop

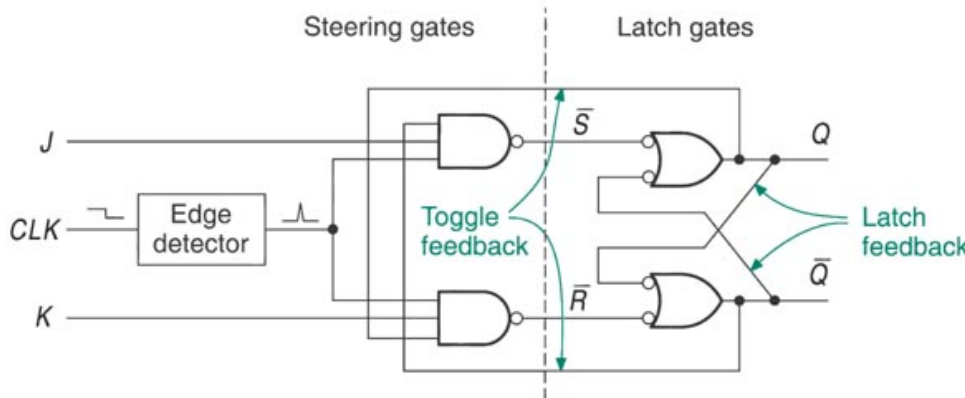




JK Flip-Flop



JK flip-flop



nS	nR	Q_{t+1}	nQ_{t+1}	Function
0	0	1	1	Forbidden
0	1	1	0	Set
1	0	0	1	Reset
1	1	Q_t	nQ_t	No Change

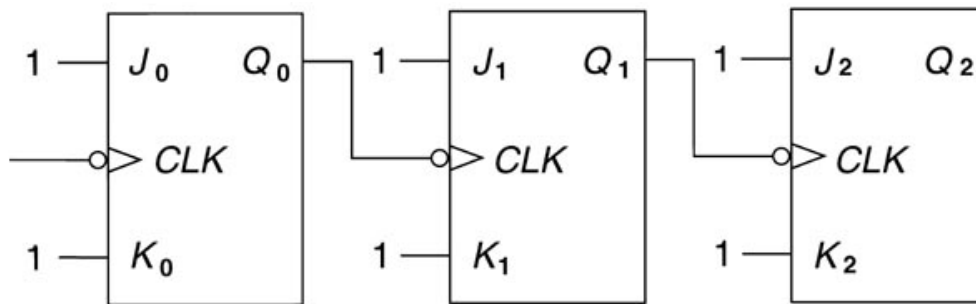
SR NAND Latch

CLK	J	K	Q_{t+1}	nQ_{t+1}	Function
↑	0	0	Q_t	nQ_t	No Change
↑	0	1	0	1	Reset
↑	1	0	1	0	Set
↑	1	1	nQ_t	Q_t	Toggle
0	X	X	Q_t	nQ_t	Inhibited
1	X	X	Q_t	nQ_t	Inhibited
↓	X	X	Q_t	nQ_t	Inhibited

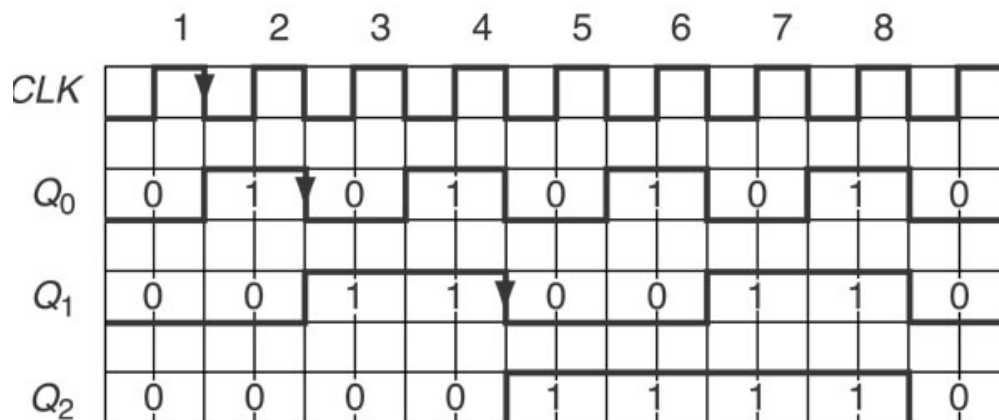
Function table of JK flip-flop



Frequency Divider or Counter

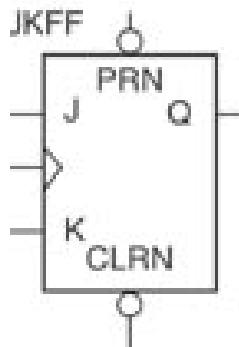
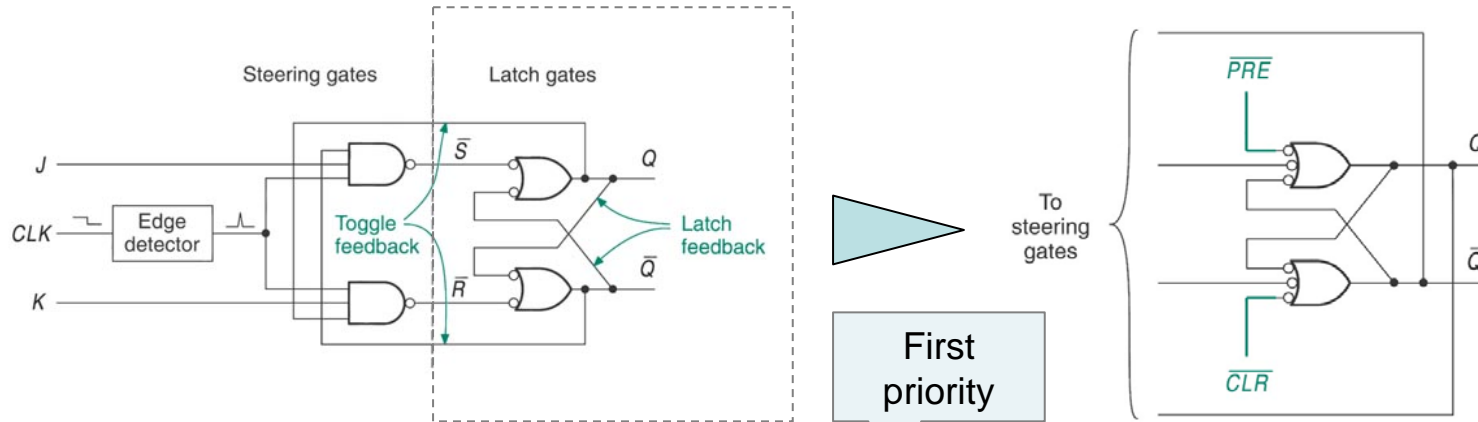


Clock Pulse	Q_2	Q_1	Q_0
0	0	0	0
1	0	0	1
2	0	1	0
3	0	1	1
4	1	0	0
5	1	0	1
6	1	1	0
7	1	1	1
8	0	0	0





JK Flip-Flop with Asynchronous Inputs

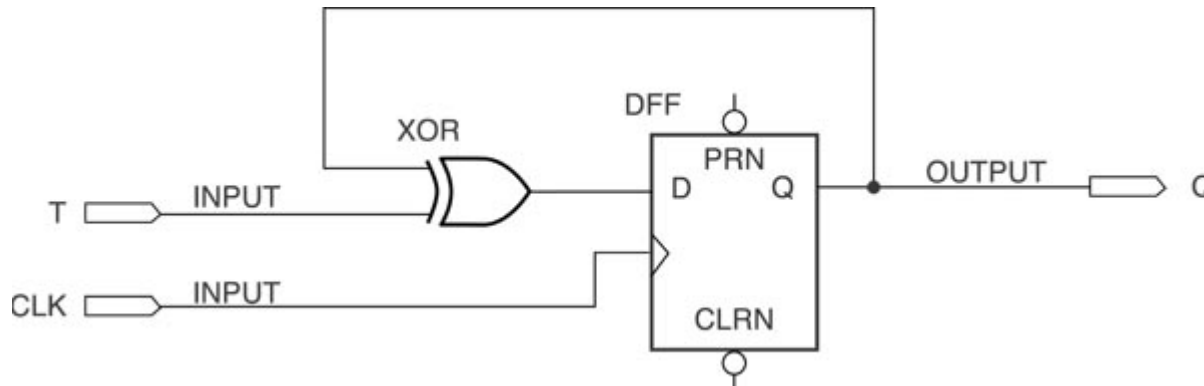


	nPRE	nCLR	CLK	J	K	Q_{t+1}	nQ_{t+1}	Function
Sync	1	1	↑	0	0	Q_t	nQ_t	No Change
	1	1	↑	0	1	0	1	Reset
	1	1	↑	1	0	1	0	Set
	1	1	↑	1	1	nQ_t	Q_t	Toggle
Async	0	1	X	X	X	1	0	Preset
	1	0	X	X	X	0	1	Clear
	0	0	X	X	X	1	1	Forbidden
	1	1	0	X	X	Q_t	nQ_t	Inhibited
	1	1	1	X	X	Q_t	nQ_t	Inhibited
	1	1	↓	X	X	Q_t	nQ_t	Inhibited

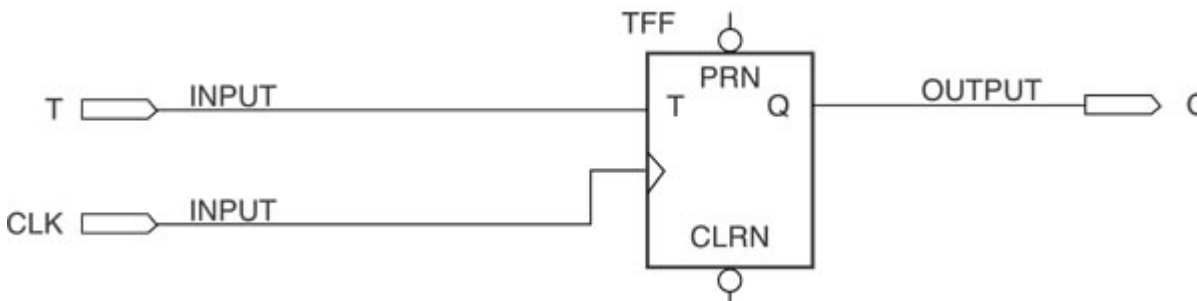
First priority



T Flip-Flop



D flip-flop with an XOR at the input



T flip-flop: the output Q toggles on each clock pulse when T is high

CLK	T	Q_{t+1}	Function
↑	0	Q_t	No change
↑	1	\bar{Q}_t	Toggle
0	X	Q_t	Inhibited
1	X	Q_t	Inhibited
↓	X	Q_t	Inhibited

Function table of T flip-flop



Integer vs. Unsigned STD_LOGIC

```
LIBRARY ieee;
USE ieee.std_logic_1164.ALL;
ENTITY compare4 IS
  PORT(
    a, b : IN INTEGER RANGE 0 TO 15;
    agtb, aeqb, altb : OUT    STD_LOGIC);
END compare4;
ARCHITECTURE a OF compare4 IS
  SIGNAL compare : STD_LOGIC_VECTOR(2 downto 0);
BEGIN
  PROCESS (a,b)
  BEGIN
    IF a<b THEN
      compare <= "110";
    ELSIF a=b THEN
      compare <= "101";
    ELSIF a>b THEN
      compare <= "011";
    ELSE
      compare <= "111";
    END IF;
    agtb <=  compare(2);
    aeqb <=  compare(1);
    altb <=  compare(0);
  END PROCESS;
END a;
```

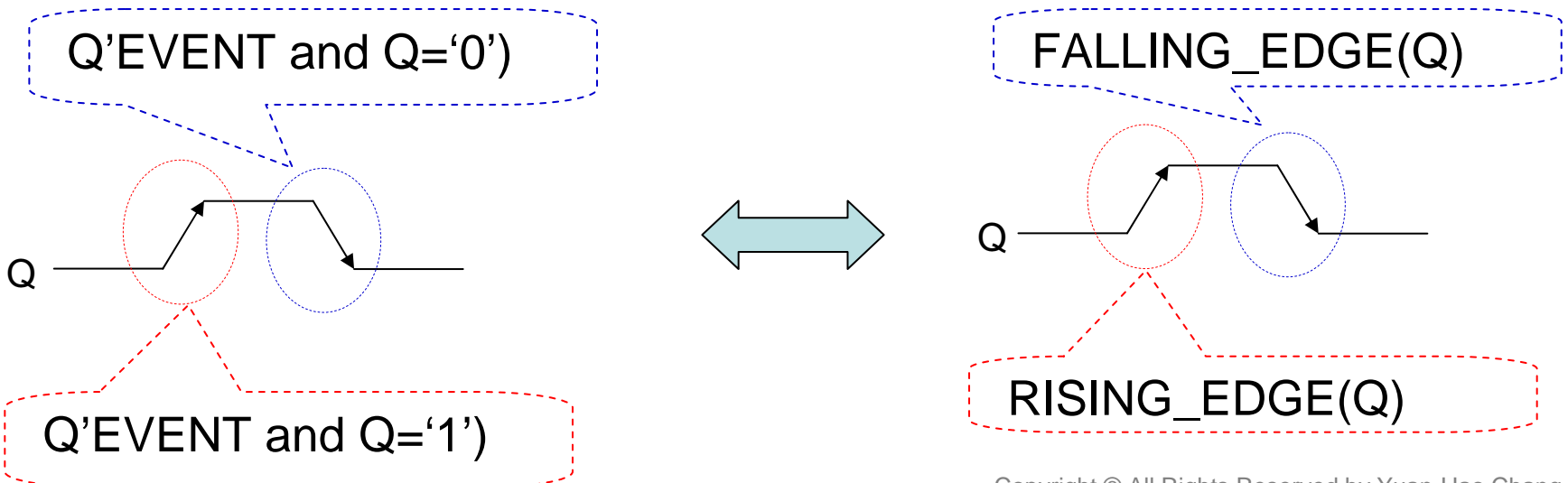
```
LIBRARY ieee;
USE ieee.std_logic_1164.ALL;
USE ieee.std_logic_unsigned.ALL;
ENTITY compare4 IS
  PORT(
    a, b : IN STD_LOGIC_VECTOR ( 3 downto 0);
    agtb, aeqb, altb : OUT    STD_LOGIC);
END compare4;
ARCHITECTURE a OF compare4 IS
  SIGNAL compare : STD_LOGIC_VECTOR(2 downto 0);
BEGIN
  PROCESS (a,b)
  BEGIN
    IF a<b THEN
      compare <= "110";
    ELSIF a=b THEN
      compare <= "101";
    ELSIF a>b THEN
      compare <= "011";
    ELSE
      compare <= "111";
    END IF;
    agtb <=  compare(2);
    aeqb <=  compare(1);
    altb <=  compare(0);
  END PROCESS;
END a;
```




Signal Attributes and Edges

Attributes of Signal p[0..7]

Attribute	Description	Value
p'HIGH	Upper bound of p	7
p'LOW	Lower bound of p	0
p'LEFT	Left bound of p	0
p'RIGHT	Right bound of p	7
p'LENGTH	Length of p	8





Signal Attributes and Constant with Default Value

```
LIBRARY ieee;
USE ieee.std_logic_1164.ALL;
```

```
ENTITY parity_genx IS
  PORT(
    pe: OUT STD_LOGIC);
END parity_genx;
```

Constant value

```
ARCHITECTURE parity OF parity_genx IS
```

```
  CONSTANT width: INTEGER := 8;
```

Default value

```
  SIGNAL d: STD_LOGIC_VECTOR(0 to width-1);
```

$8-1=7$

```
  SIGNAL p : STD_LOGIC_VECTOR(d'LOW+1 to d'HIGH);
```

```
BEGIN
```

```
  p(1) <= d(0) xor d(1);
```

$0+2=2$

1

7

```
  parity_generate:
```

```
  FOR i IN d'LEFT+2 to d'RIGHT GENERATE
```

```
    p(i) <= p(i-1) xor d(i);
```

7

```
  END GENERATE;
```

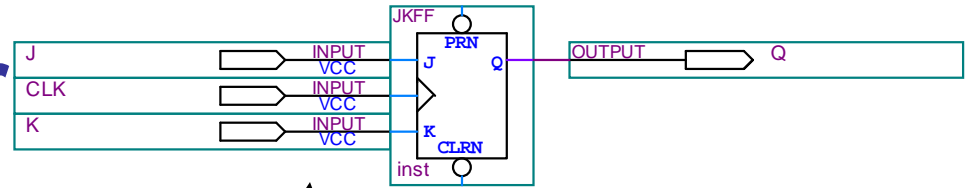
```
  pe <= p(d'LENGTH-1);
```

$8-1=7$

```
END parity;
```



Frequency Divider



```

LIBRARY ieee;
USE ieee.std_logic_1164.all;
ENTITY FrequencyDivider IS
    PORT (CLK: IN STD_LOGIC;
          LED: OUT STD_LOGIC);
END FrequencyDivider;

```

Map to external 50MHz clock

```

ARCHITECTURE a OF FrequencyDivider IS
    COMPONENT jkff_primitive
    PORT (
        CLK: IN STD_LOGIC;
        Q: OUT STD_LOGIC);
    END COMPONENT;
    SIGNAL Q: STD_LOGIC_VECTOR(25 downto 0);

```

Imported from jkff_primitive.bdf of the same project

```

BEGIN
    -- Frequency Divider
    Q(Q'LOW) <= CLK;
    divider: FOR i IN Q'LOW+1 to Q'HIGH GENERATE
        divider_unit: jkff_primitive PORT MAP(CLK=>Q(i-1), Q=>Q(i));
    END GENERATE;
    LED <= Q(Q'HIGH) xor '1';
END a;

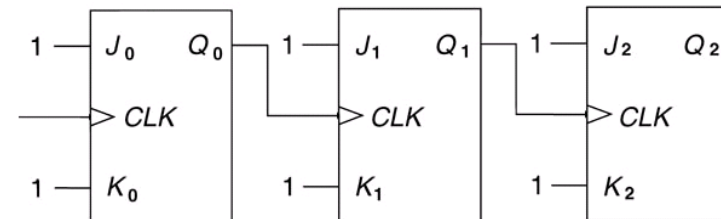
```

Turn the LED on/off every 0.32s
 $1s / (50MHz / 2^{24})$

The procedure to import a .bdf design into a VHDL file:

- 1. Create a [jkff_primitive.bdf](#) file, and add a JKFF component into this file.
- 2. Create input and output pins for this JKFF component.
- 3. In the VHDL file, declare the [jkff_primitive](#) as its component with only the in/out pins that it wants to use.
- 4. Generate this component in this VHDL file.

Generate 25 JK flip-flops





FOR Loop and Array

hexadecimal

Note:

“101**0000**11000” = x“A18” = o”5030”
= b”101000011000”

binary

octal

```

LIBRARY ieee;
USE ieee.std_logic_1164.all;

ENTITY FrequencyDivider IS
  PORT (Hex0, Hex1, Hex2, Hex3: OUT STD_LOGIC_VECTOR(0 to 7));
END FrequencyDivider;

```

Constant with default value 16

```

ARCHITECTURE a OF FrequencyDivider IS
  CONSTANT DigitValue: INTEGER := 16;
  TYPE MMSS is array (0 to 4) of INTEGER RANGE 0 to DigitValue;
  TYPE SEVENSEGMENT is array (0 to 3) of STD_LOGIC_VECTOR(0 to 7);
  SIGNAL digits: MMSS;
  SIGNAL segments: SEVENSEGMENT;
BEGIN

```

Define an integer array

Define an STD_LOGIC_VECTOR OR array

```

-- show 7-segment
Hex0 <= segments(0);
Hex1 <= segments(1);
Hex2 <= segments(2);
Hex3 <= segments(3);

```

Map signal to port

Light on “dot” of HEX2

```

PROCESS(all)
  BEGIN
    FOR i IN 0 to 3 LOOP
      CASE digits(i) IS
        WHEN 0=> segments(i)<="00000011";-- 0
        WHEN 1=> segments(i)<="10011111";-- 1
        WHEN 2=> segments(i)<="00100101";-- 2
        WHEN 3=> segments(i)<="00001101";-- 3
        WHEN 4=> segments(i)<="10011001";-- 4
        WHEN 5=> segments(i)<="01001001";-- 5
        WHEN 6=> segments(i)<="11000001";-- 6
        WHEN 7=> segments(i)<="00011111";-- 7
        WHEN 8=> segments(i)<="00000001";-- 8
        WHEN 9=> segments(i)<="00011001";-- 9
        WHEN others =>segments(i)<="11111111";
      END CASE;
    END LOOP;
    segments(2)(7) <= '0'; -- display "dot"
  END PROCESS;
END a;

```



Function

```

LIBRARY ieee;
USE ieee.std_logic_1164.all;
ENTITY FrequencyDivider IS
    PORT (CLK: IN STD_LOGIC;
          Hex0, Hex1, Hex2, Hex3: OUT STD_LOGIC_VECTOR(0 to 7));
END FrequencyDivider;

```

```

ARCHITECTURE a OF FrequencyDivider IS
    CONSTANT DigitValue: INTEGER := 16;
    TYPE MMSS is array (0 to 4) of INTEGER RANGE 0 to DigitValue;
    SIGNAL TenMiniSecondTicks: INTEGER := 500000;
    SIGNAL digits: MMSS;

```

```

FUNCTION PlusOne (a:INTEGER RANGE 0 to DigitValue) RETURN INTEGER IS
    VARIABLE result : INTEGER RANGE 0 to DigitValue;
BEGIN
    result := a + 1;
    RETURN (result);
END;

```

Parameters (separated by ;)

Function name

Return value type

Variable (SIGNAL is not allowed in functions)

Value assignment to variable should use :=

Return value

```

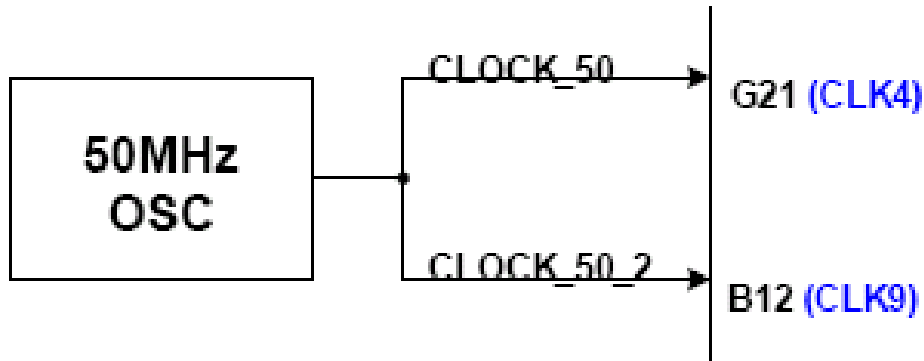
BEGIN
    -- Stopwatch
    PROCESS(CLK)
    BEGIN
        IF(RISING_EDGE(CLK)) THEN
            Ticks <= Ticks + 1;
            IF(Ticks >= TenMiniSecondTicks-1) THEN
                Ticks <= 0;
                digits(0) <= PlusOne(digits(0));
                IF(digits(0)>=9) THEN
                    digits(1) <= PlusOne(digits(1));
                    digits(0) <= 0;
                    IF(digits(1)>=9) THEN
                        digits(2) <= PlusOne(digits(2));
                        digits(1) <= 0;
                        IF(digits(2)>=9) THEN
                            digits(3) <= PlusOne(digits(3));
                            digits(2) <= 0;
                            IF(digits(3)>=9) THEN
                                digits(3) <= 0;
                            END IF;
                        END IF;
                    END IF;
                END IF;
            END IF;
        END IF;
    END PROCESS;
END a;

```

Function call



DE0 – External Clock



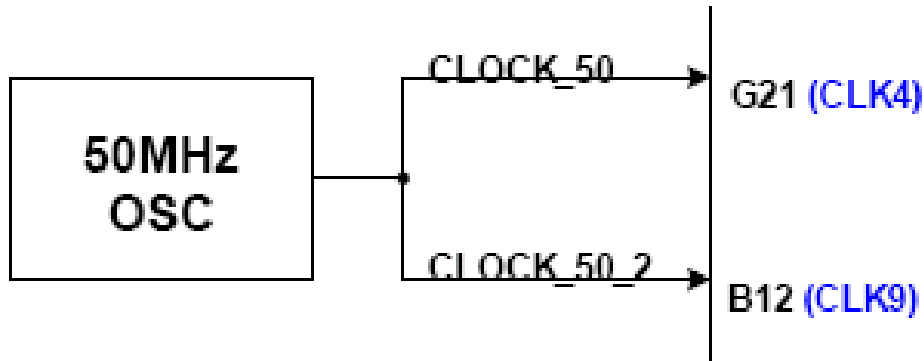


Lab 10

- Part 1: Frequency Divider with JK flip-flops or T flip-flops
 - Design a flashing light array with the 50MHz clock
 - LEDG[0..9] is toggled every $2^{[25..34]}$ clock ticks, respectively.
 - E.g., LEDG0 is toggled with 1.49Hz, LEDG1 is toggled with 0.745Hz, and so on.
- Part 2: Design a clock
 - Design a clock with four digits.
 - HEX[3210] represents MM.SS (MM: minutes, SS: seconds), where the “dot” between MM and SS should be always on.
 - Set the initial time to **34.56**.
- Report:
 - Write down what you have learned from this lab. (實驗心得)



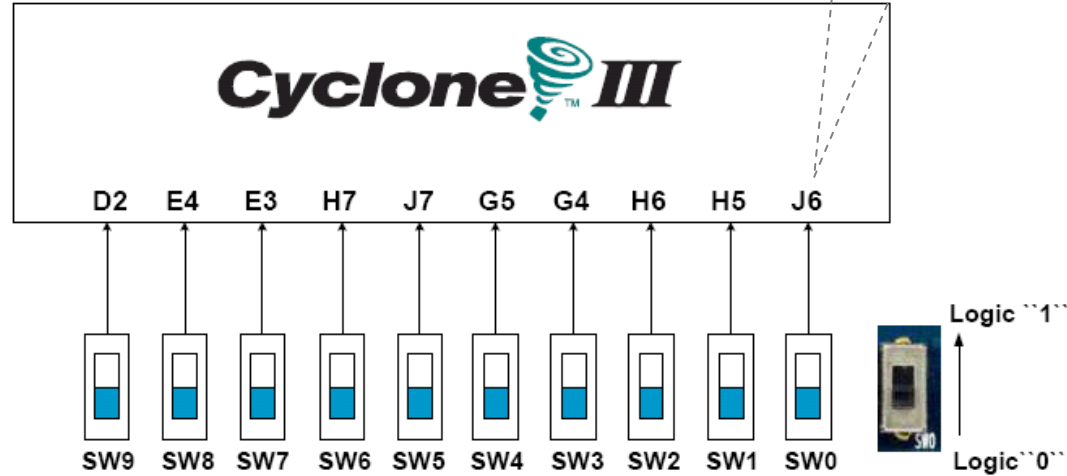
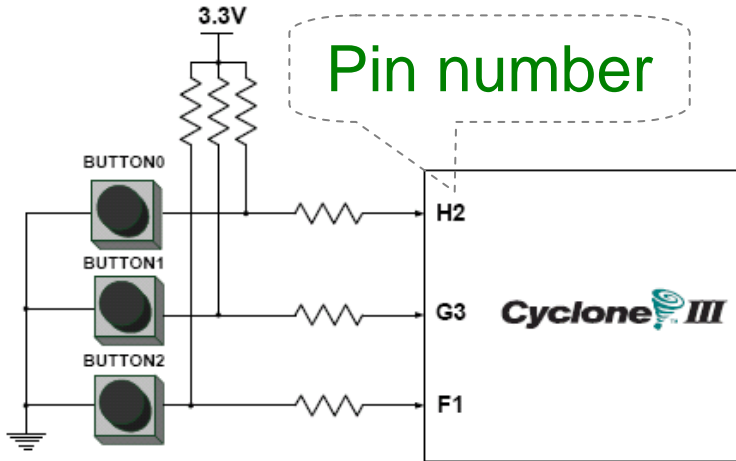
DE0 – External Clock





Pushbutton and Slide Switches

Pin number



3 Pushbutton switches:
 Not pressed → Logic High
 Pressed → Logic Low

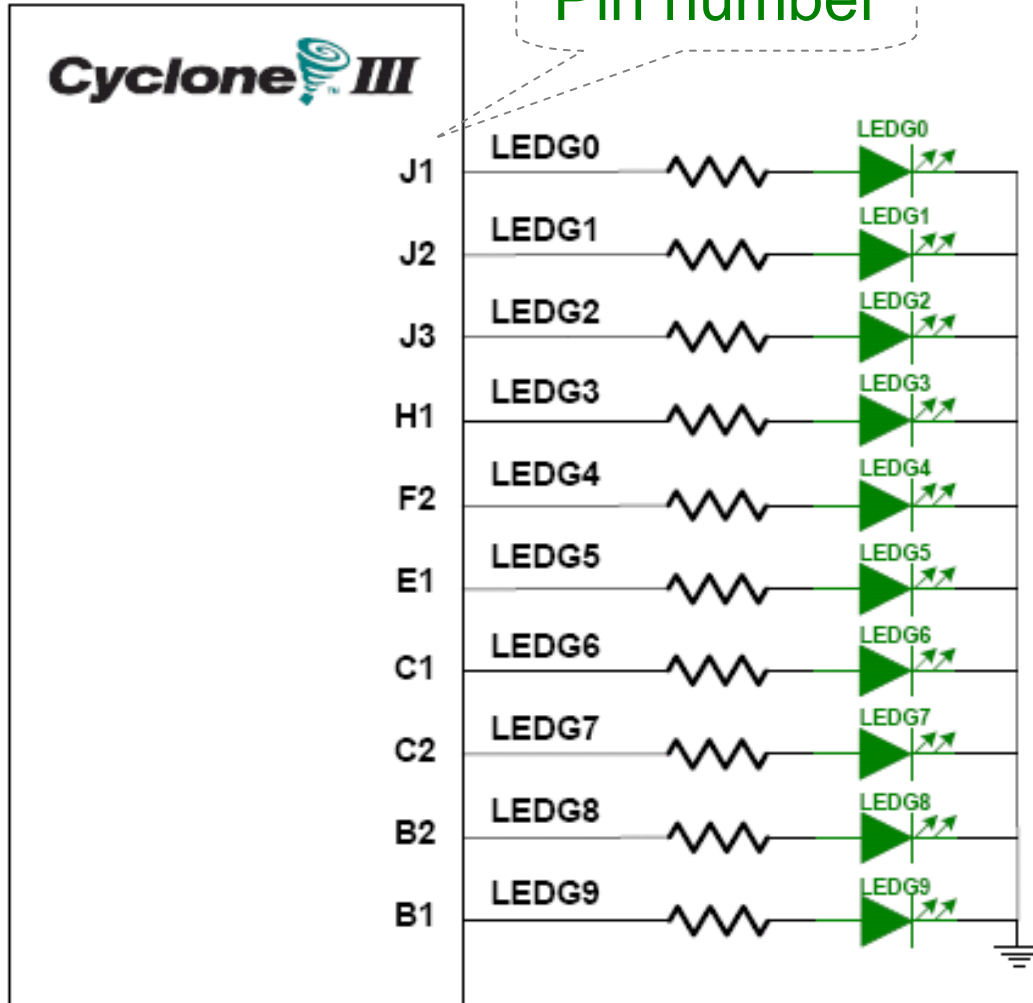
Signal Name	FPGA Pin No.
BUTTON [0]	PIN_ H2
BUTTON [1]	PIN_ G3
BUTTON [2]	PIN_ F1

10 Slide switches (Sliders):
 Up → Logic High
 Down → Logic

SW[0]	PIN_J6	SW[5]	PIN_J7
SW[1]	PIN_H5	SW[6]	PIN_H7
SW[2]	PIN_H6	SW[7]	PIN_E3
SW[3]	PIN_G4	SW[8]	PIN_E4
SW[4]	PIN_G5	SW[9]	PIN_D2



LEDs



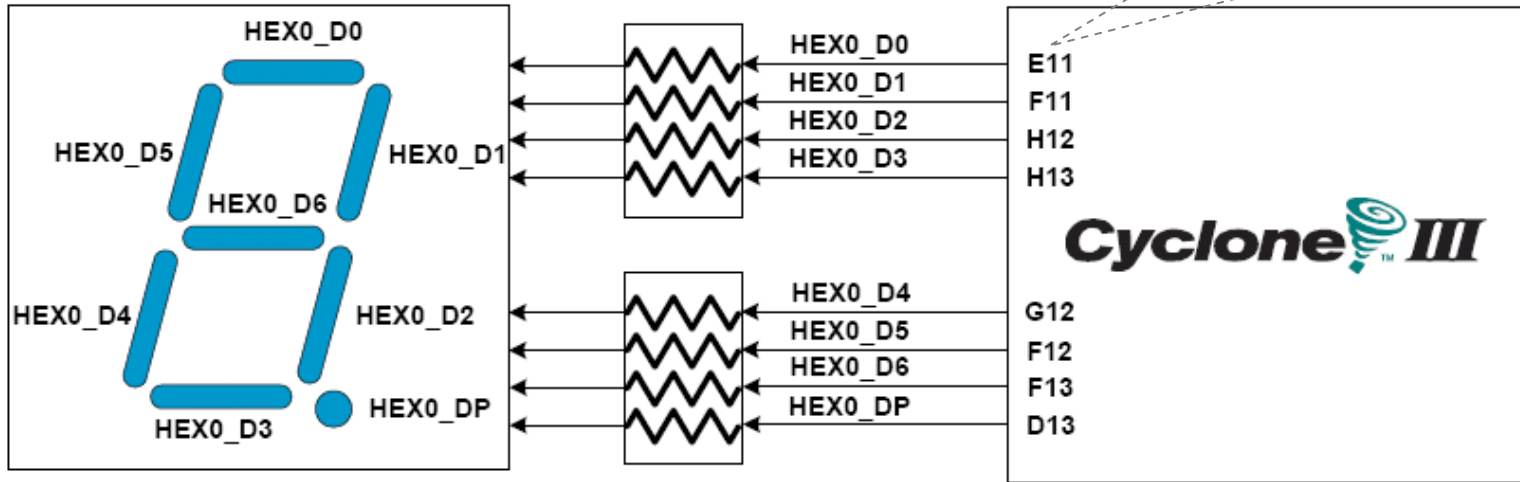
10 LEDs
 Output high → LED on
 Output low → LED off

Signal Name	FPGA Pin No.
LEDG[0]	PIN_J1
LEDG[1]	PIN_J2
LEDG[2]	PIN_J3
LEDG[3]	PIN_H1
LEDG[4]	PIN_F2
LEDG[5]	PIN_E1
LEDG[6]	PIN_C1
LEDG[7]	PIN_C2
LEDG[8]	PIN_B2
LEDG[9]	PIN_B1



7-Segment Displays

Pin number (active-low)



Signal Name	FPGA Pin No.
HEX0_D[0]	PIN_E11
HEX0_D[1]	PIN_F11
HEX0_D[2]	PIN_H12
HEX0_D[3]	PIN_H13
HEX0_D[4]	PIN_G12
HEX0_D[5]	PIN_F12
HEX0_D[6]	PIN_F13
HEX0_DP	PIN_D13

HEX1_D[0]	PIN_A13
HEX1_D[1]	PIN_B13
HEX1_D[2]	PIN_C13
HEX1_D[3]	PIN_A14
HEX1_D[4]	PIN_B14
HEX1_D[5]	PIN_E14
HEX1_D[6]	PIN_A15
HEX1_DP	PIN_B15

HEX2_D[0]	PIN_D15
HEX2_D[1]	PIN_A16
HEX2_D[2]	PIN_B16
HEX2_D[3]	PIN_E15
HEX2_D[4]	PIN_A17
HEX2_D[5]	PIN_B17
HEX2_D[6]	PIN_F14
HEX2_DP	PIN_A18

HEX3_D[0]	PIN_B18
HEX3_D[1]	PIN_F15
HEX3_D[2]	PIN_A19
HEX3_D[3]	PIN_B19
HEX3_D[4]	PIN_C19
HEX3_D[5]	PIN_D19
HEX3_D[6]	PIN_G15
HEX3_DP	PIN_G16